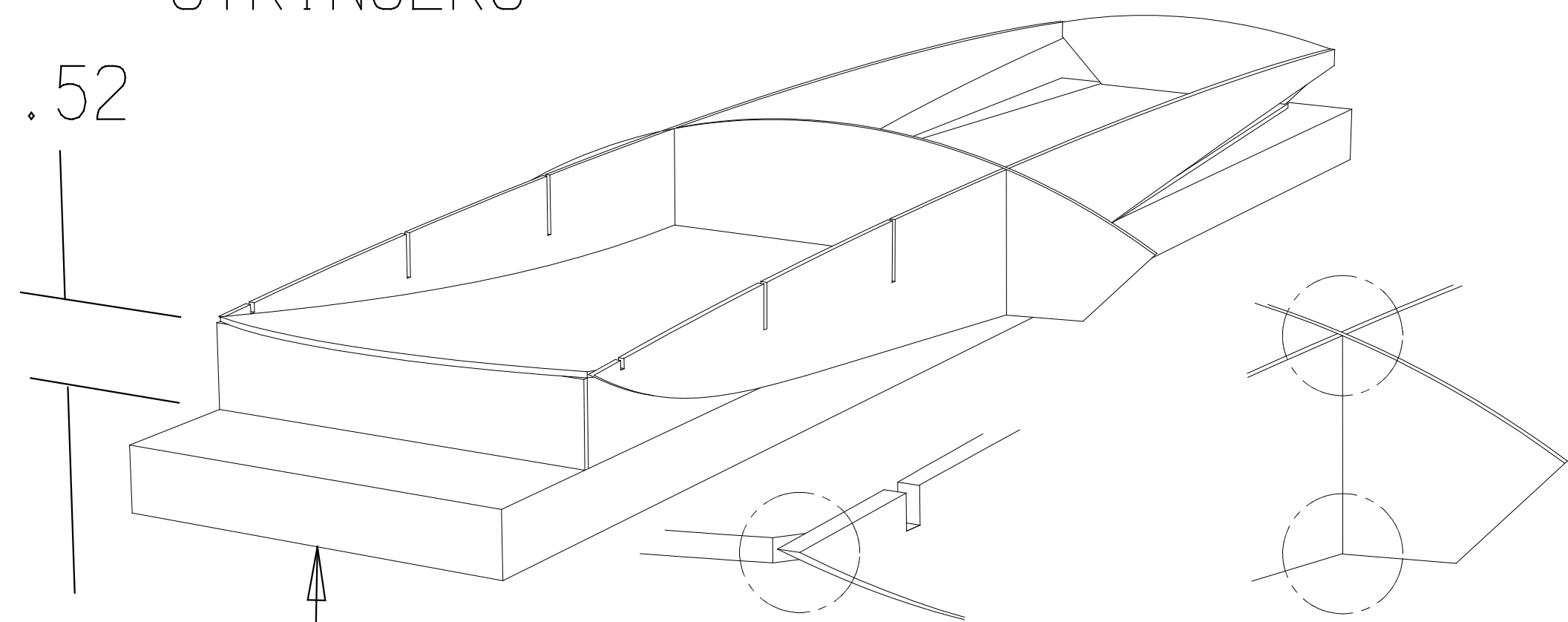


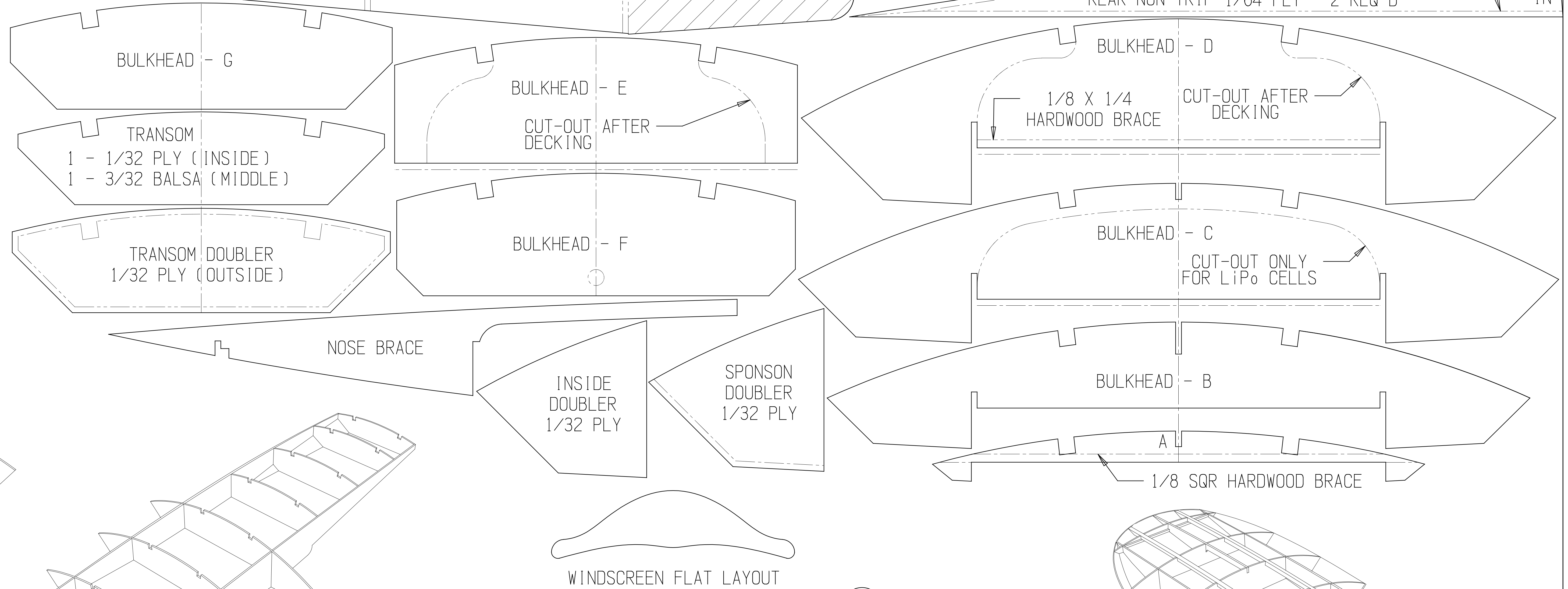
UNLESS OTHERWISE SPECIFIED:
ALL PARTS ARE 1/8" BALSAM
GRAIN DIRECTION

① ASSEMBLE BLKD-D,
TRANSOM AND
STRINGERS

1.52

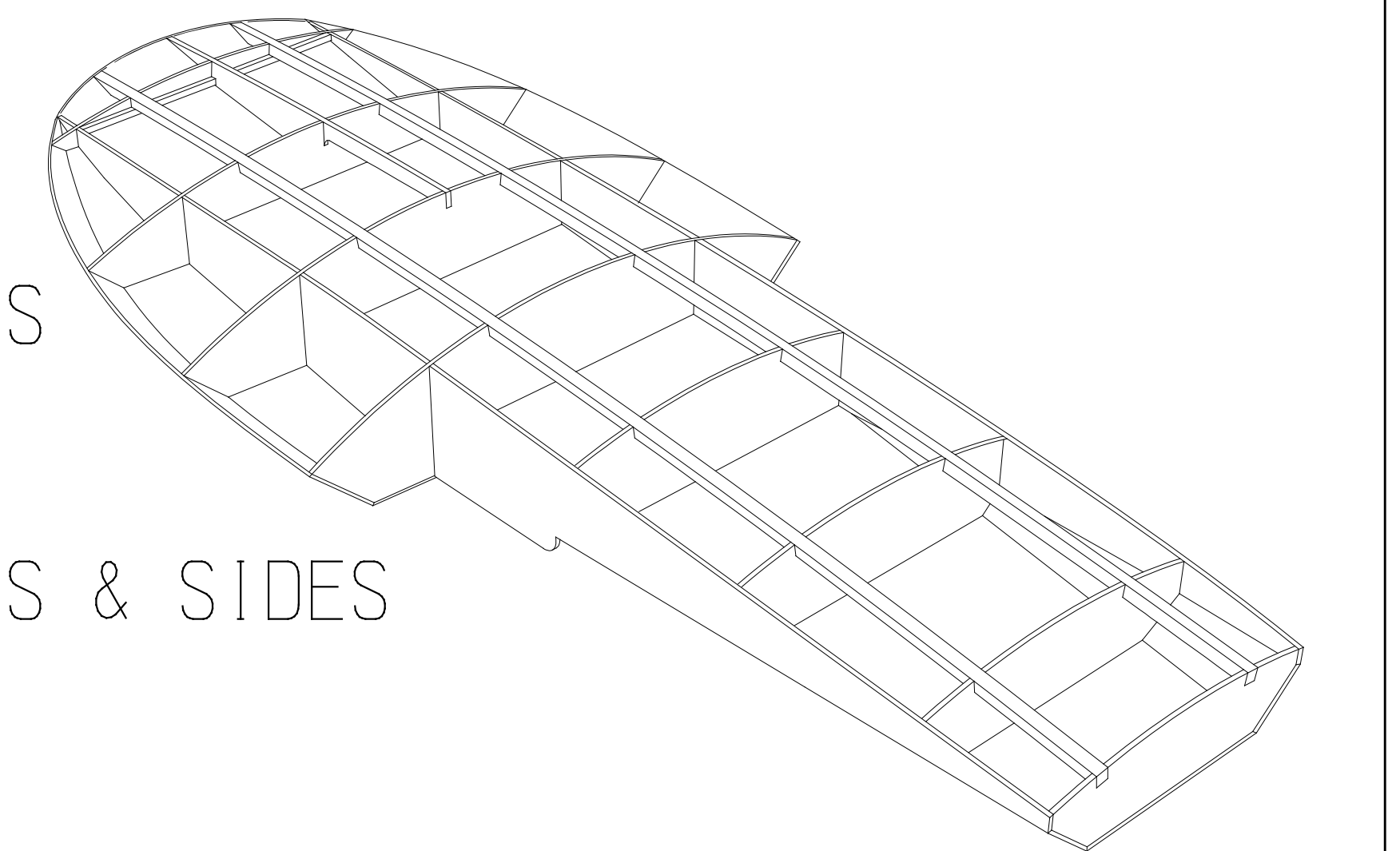


1 X 7.81 X 36
BUILDING BOARD



② ASSEMBLE BLKDs
A, B, C, E, F, G
CHECK ALIGNMENT
AND GLUE

③ ADD DECK STRIPS
NOSE BRACE
REAR NON-TRIPS
SPONSON BOTTOMS & SIDES



1/10th SCALE
LIMITED SPORT HYDRO

1956 Ted Jones Classic 28.5' Unlimited Hydroplane
10/24/07 by: G.Finlay Sheet 2 of 3

Copyright 2007 Garry Finlay and Rum Runner Racing. All rights reserved, worldwide.