

CUT 1.25 X 11.25 X 44 BUILDING BOARD, MARK BASE PATTERN, COVER WITH WAX PAPER

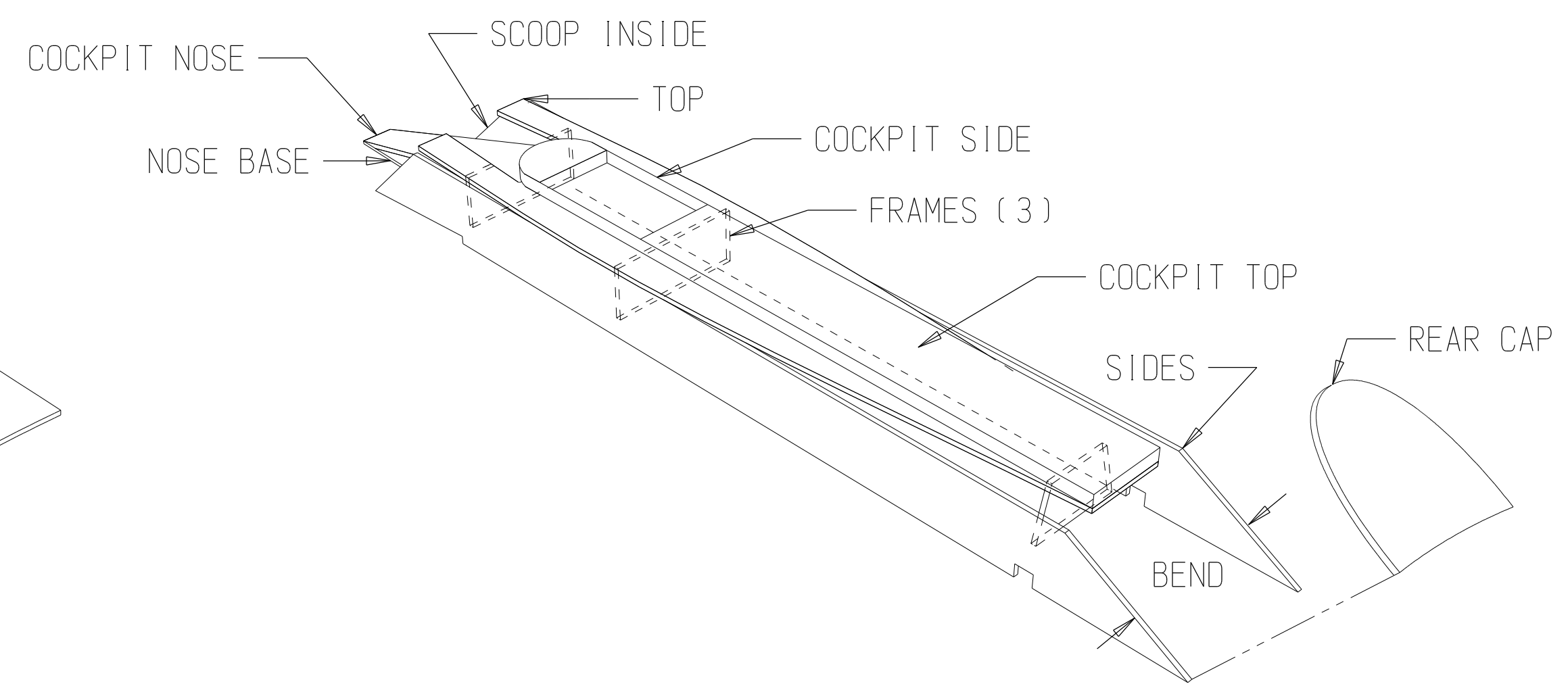
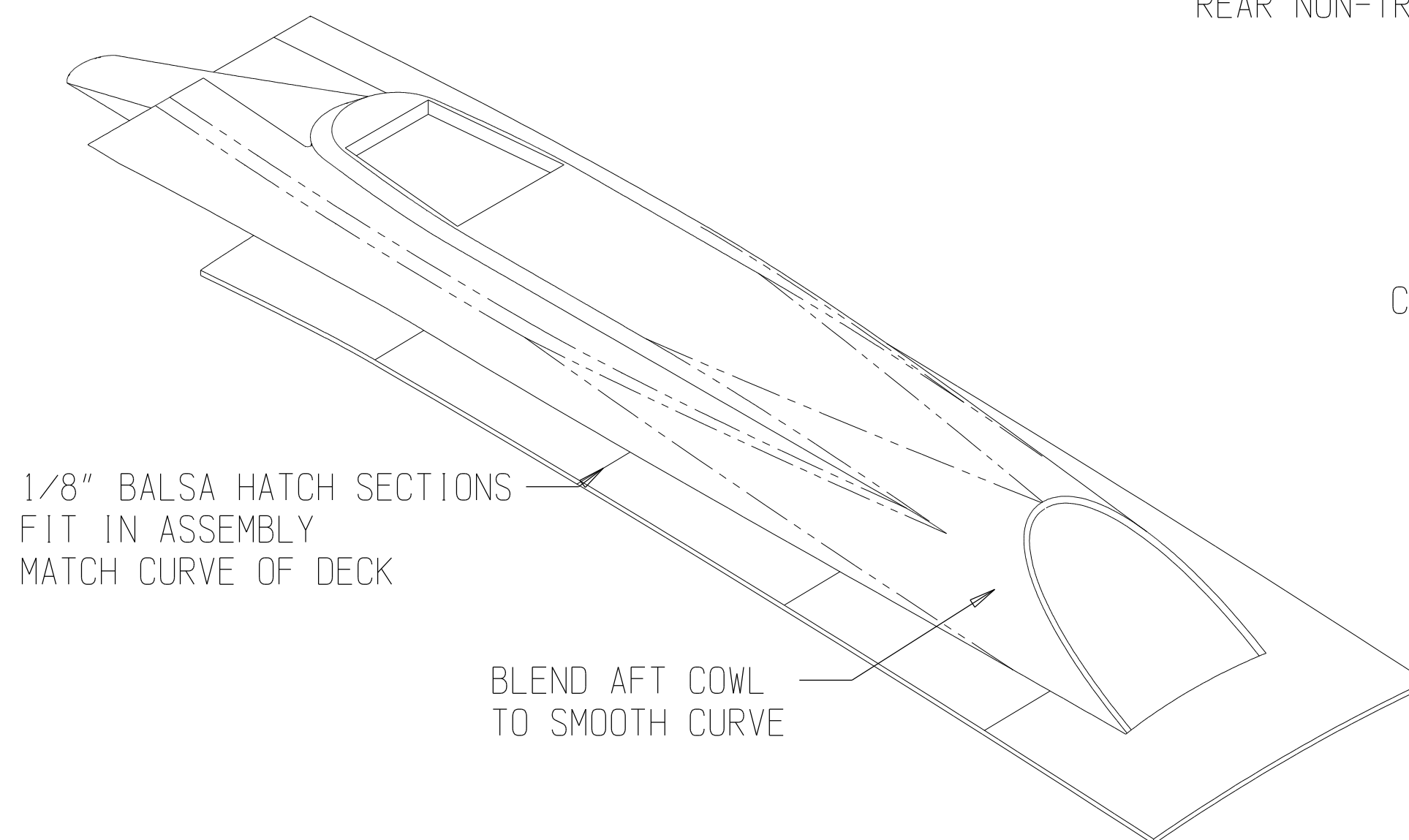
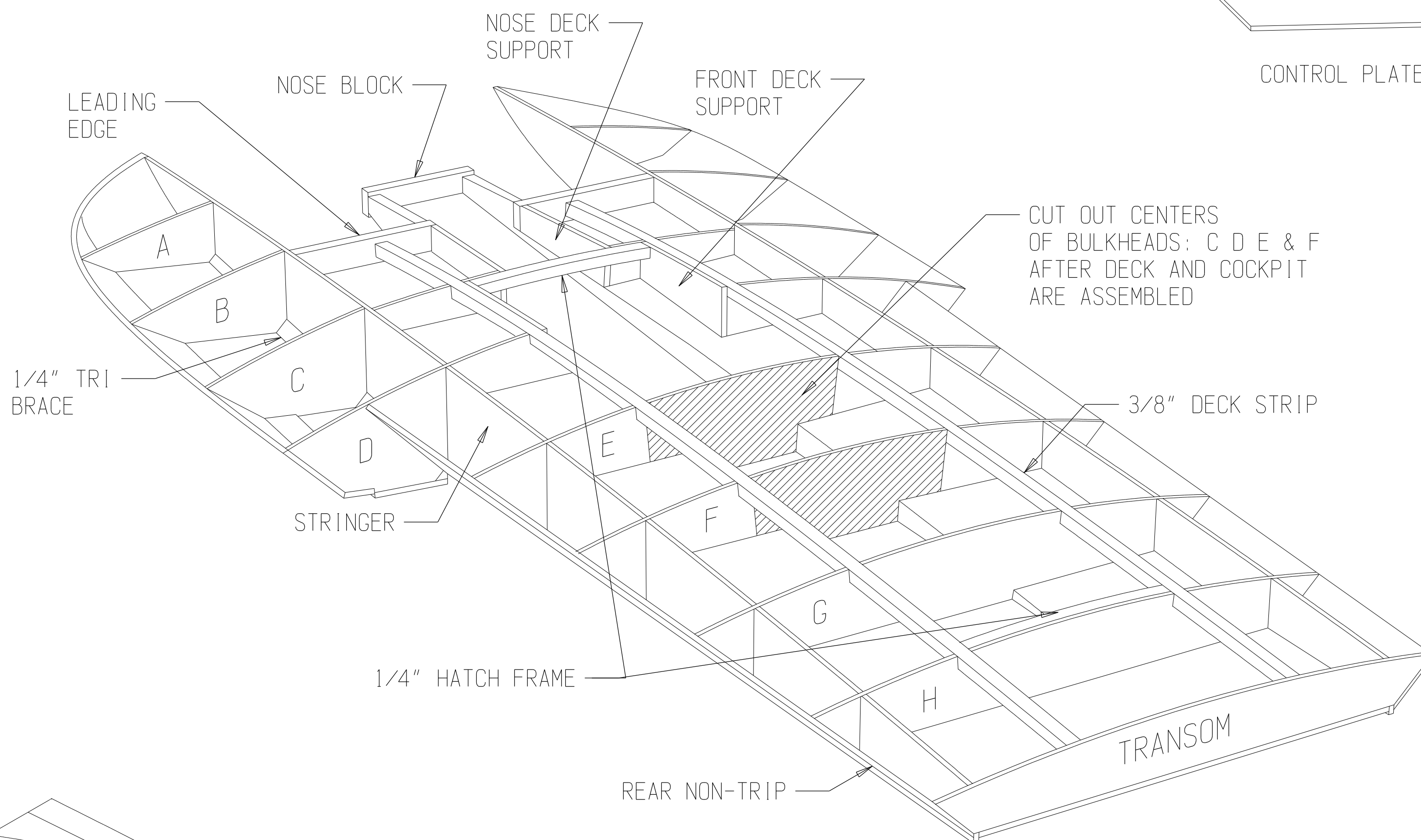
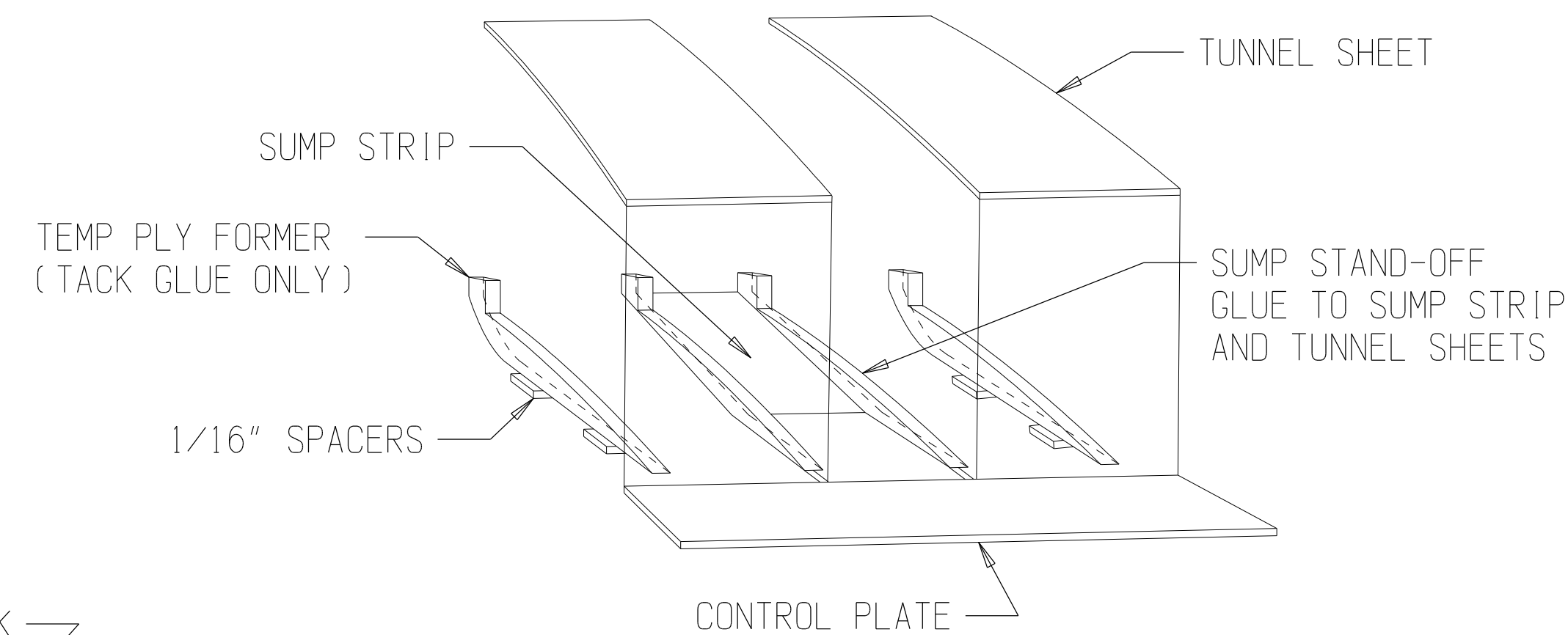
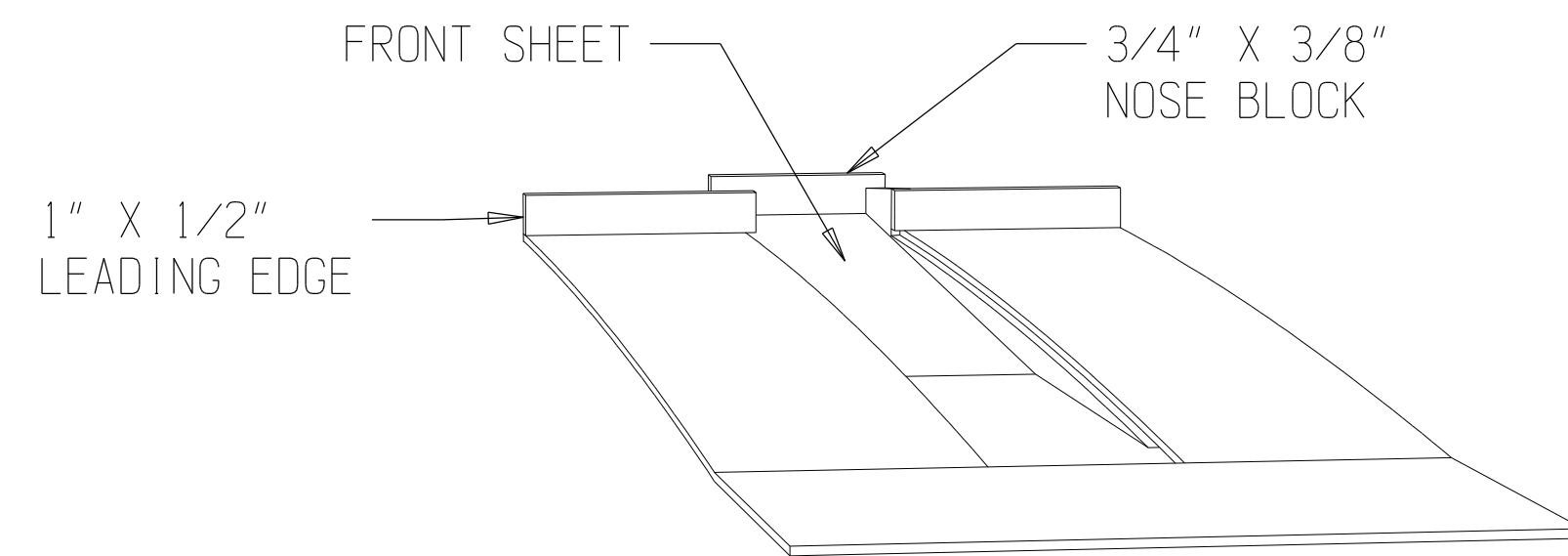
TACK GLUE TUNNEL FORMERS, SPACERS, SUMP STRIP AND CONTROL PLATE TO BOARD
 GLUE SUMP STANDOFF, TUNNEL STRIPS OVER SUMP STRIP, TACK GLUE TO FORMER
 GLUE LEADING EDGE BLOCKS IN PLACE
 GLUE .25 TRIANGULAR STRIPS, BULKHEADS A & B TO STRINGERS
 GLUE DOUBLER TO THE TRANSOM

ASSEMBLE AND GLUE STRINGERS, BULKHEAD D, TRANSOM TO TUNNEL ASSEMBLY
 CHECK ALIGNMENT, GLUE REMAINING BULKHEADS IN POSITION
 BEVEL BASE OF REAR NON-TRIP PANELS, GLUE IN PLACE
 GLUE .38 DECK STRIPS TO THE TOPS OF BULKHEADS
 BEND SPONSON BOTTOM SHEETS TO MATCH THE CURVE OF BULKHEADS, GLUE IN PLACE
 ADD SPONSON SIDES, SAME AS BOTTOMS
 GLUE PLY DOUBLERS TO RIGHT SPONSON TRANSOM

APPLY CONTACT CEMENT TO TOP EDGES OF FRAMEWORK AND INSIDE OF DECK
 LINE UP DECK TO INSIDE EDGE OF PICKLE-FORK AND CAREFULLY TOUCH DOWN AT BULKHEAD D
 LAY DECK DOWN ALONG CENTER OF DECK STRIP TO TRANSOM, PULL IT DOWN TO MEET REST OF OPEN STRUCTURE
 ADD CA TO OUTSIDE SEAMS. TRIM DECK EDGES FLUSH WITH SIDE PANELS
 REMOVE FORMERS. PLANE OR SAND .38 X 45DEG BEVEL ON INSIDE OF SPONSONS
 ADD FRONT DECK EXTENSION SUPPORTS, DECK, NOSE SUPPORTS
 GLUE FRONT, REAR DECK SECTIONS IN PLACE
 CUT CENTERS OF BULKHEADS C, D, E, F
 ADD .38 HATCH FRAMES

ASSEMBLE COWL NOSE BASE, COCKPIT SIDES, FRAMES IN POSITION OVER HULL
 BEND SIDES TO FIT FRAMES, GLUE TOGETHER
 GLUE COWL TOP IN PLACE
 TRIM AND FIT 2 OR 3 X .12 Balsa HATCH SHEETS BETWEEN COWLING SIDES AND DECK
 GLUE IN PLACE (NOT TO DECK), SAND TO MATCH DECK PROFILE
 ADD COCKPIT TOP THEN PLANE OR SAND REAR PROFILE TO SHAPE
 GLUE COCKPIT FRONT PIECE IN PLACE
 ADD INSIDE SCOOP WALLS AND SAND FRONT PROFILE TO SHAPE
 ADD COCKPIT NOSE, FILLER PIECES TO THE OPENINGS ON SIDES
 TRIM REAR CAP TO FIT INSIDE MOTOR HOOD OPENING, GLUE

CUT TURBINE EXHAUST FROM .015 ALUMINUM SHEET
 FORM AND GLUE THIS IN PLACE AFTER PAINTING
 LAMINATE WING AND VERTICAL FINS WITH GRAIN CROSSING AS SHOWN
 SAND TO AN AIRFOIL SHAPE
 GLUE THESE TOGETHER AND PAINT BEFORE FINAL ASSEMBLY



1/8th SCALE PAY'N PAK
 by: G.Finlay 06/22/05