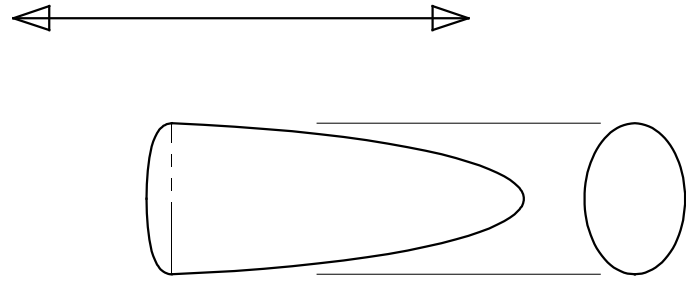


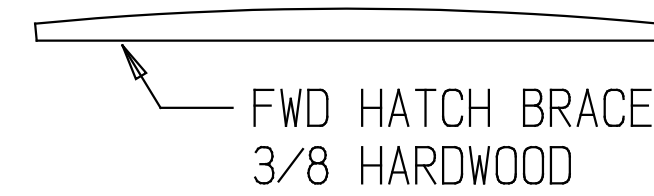
UNLESS OTHERWISE NOTED:

ALL DRAWINGS FULL SCALE
DIMENSIONS ARE IN INCHES

ALL SHEETS:
3/32 FIRM BALSA
GRAIN DIRECTION



HEADREST
1" BALSA

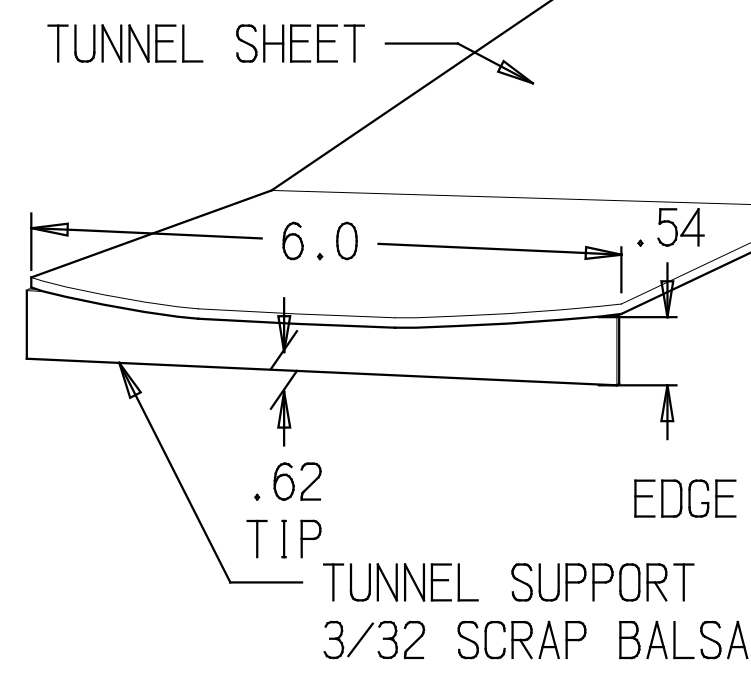


FWD HATCH BRACE
3/8 HARDWOOD



3/8 HARDWOOD

ON TOP OF 1" X 6" X 28"
BUILDING BOARD

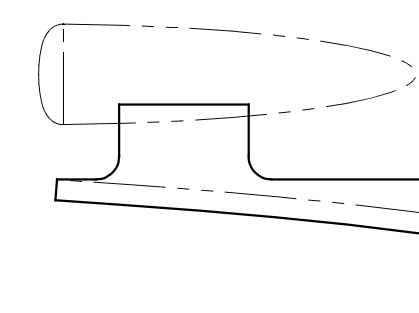


TUNNEL SHEET
6.0
.54
.62 TIP
EDGE
TUNNEL SUPPORT
3/32 SCRAP BALSA

SAFETY STOCK

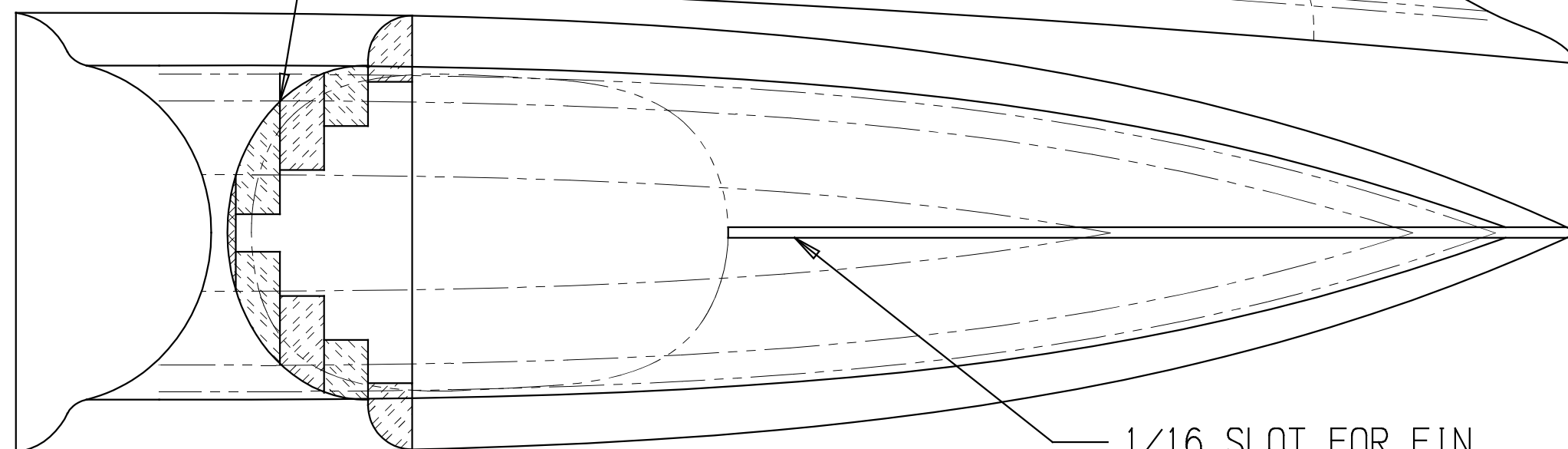
TAIL-PROBE 1/4 DOWEL

BLEND LEADING EDGE



1/16 PLY
GRAIN
TAIL FIN
3/32 BALSA

1/32 PLY FACEPLATE
1/4 BALSA SLABS
CARVE AND SAND
TO SHAPE



1/16 SLOT FOR FIN

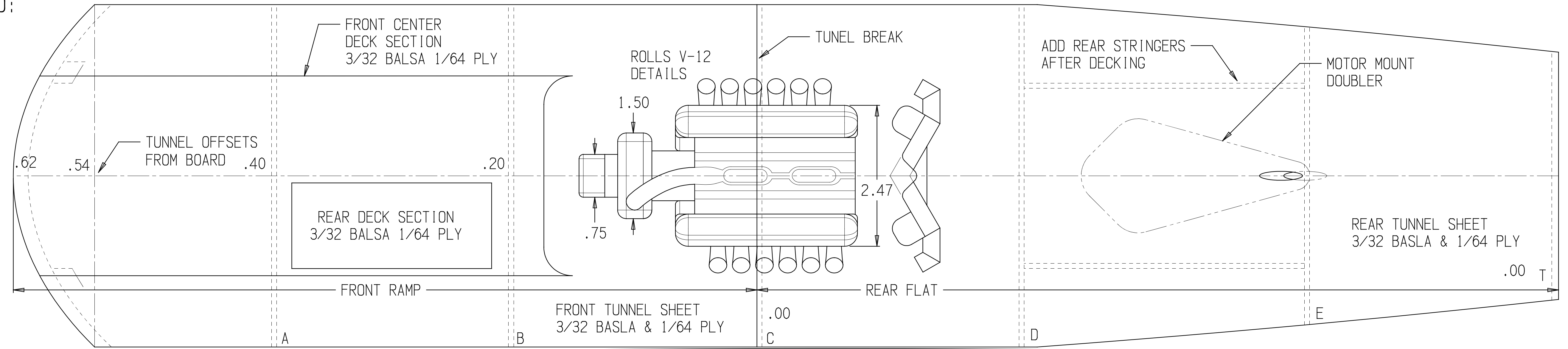
LIMITED SPORT HYDRO
1969 U-7 NOTRE DAME

1/13.3 SCALE UNLIMITED HYDROPLANE

SHEET 2 of 2 06/10/07 by: G.Finlay

Fwd, Inside
Down

C



FRONT CENTER
DECK SECTION
3/32 BALSA 1/64 PLY

ROLLS V-12
DETAILS

TUNEL BREAK

ADD REAR STRINGERS
AFTER DECKING

MOTOR MOUNT
DOUBLER

TUNNEL OFFSETS
FROM BOARD .40

REAR DECK SECTION
3/32 BALSA 1/64 PLY

FRONT TUNNEL SHEET
3/32 BASLA & 1/64 PLY

REAR TUNNEL SHEET
3/32 BASLA & 1/64 PLY

FRONT RAMP

REAR FLAT

A

B

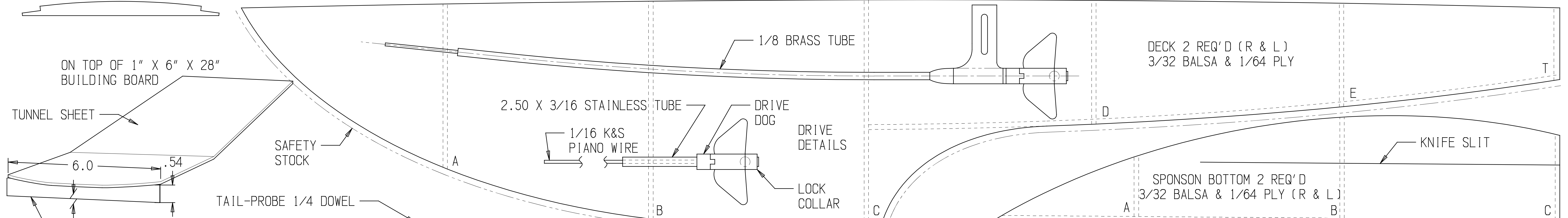
C

D

E

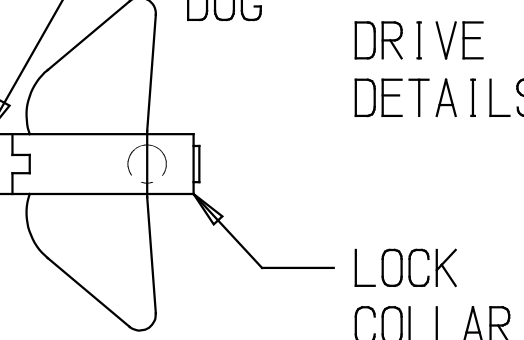
.00

T



1/8 BRASS TUBE

2.50 X 3/16 STAINLESS TUBE



1/16 K&S PIANO WIRE
DRIVE DOG
DRIVE DETAILS
LOCK COLLAR

DECK 2 REQ'D (R & L)
3/32 BALSA & 1/64 PLY

SPONSON BOTTOM 2 REQ'D
3/32 BALSA & 1/64 PLY (R & L)

KNIFE SLIT

A

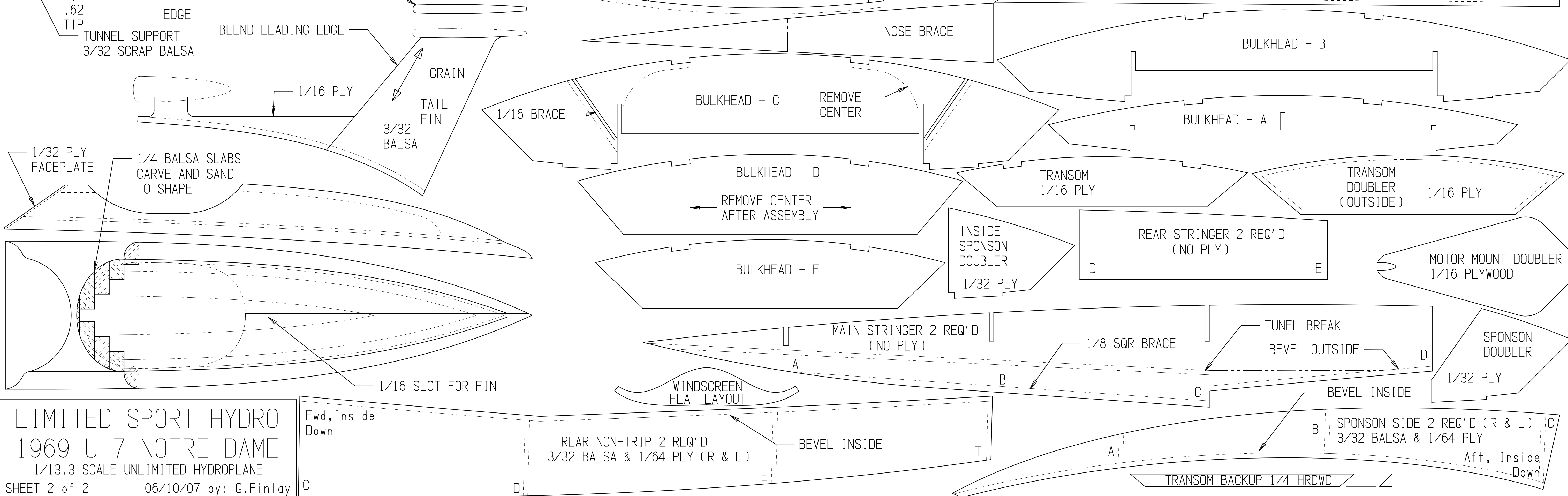
B

C

D

E

T



NOSE BRACE

BULKHEAD - B

BULKHEAD - C

REMOVE CENTER

BULKHEAD - A

1/16 BRACE

BULKHEAD - D

REMOVE CENTER
AFTER ASSEMBLY

TRANSOM
1/16 PLY

TRANSOM
DOUBLER
(OUTSIDE)

1/16 PLY

INSIDE
SPONSON
DOUBLER
1/32 PLY

REAR STRINGER 2 REQ'D
(NO PLY)

MOTOR MOUNT DOUBLER
1/16 PLYWOOD

MAIN STRINGER 2 REQ'D
(NO PLY)

1/8 SQR BRACE

TUNEL BREAK
BEVEL OUTSIDE

SPONSON DOUBLER
1/32 PLY

WINDSCREEN
FLAT LAYOUT

BEVEL INSIDE

REAR NON-TRIP 2 REQ'D
3/32 BALSA & 1/64 PLY (R & L)

BEVEL INSIDE

SPONSON SIDE 2 REQ'D (R & L)
3/32 BALSA & 1/64 PLY

Aft, Inside
Down

TRANSOM BACKUP 1/4 HRDWD

C

D

E

A

B

T