

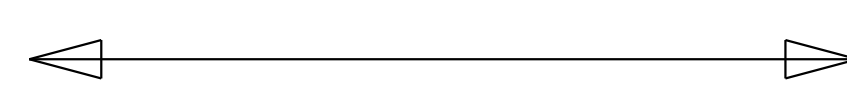
COCKPIT SIDES (2)  
3/32" MAHOGANY

COCKPIT BACK (2)  
3/32" MAHOGANY

WINDSCREEN (2)  
3/32" MAHOGANY

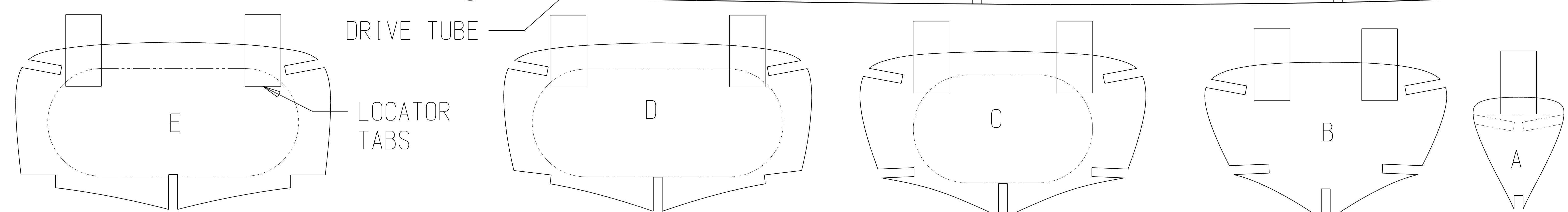
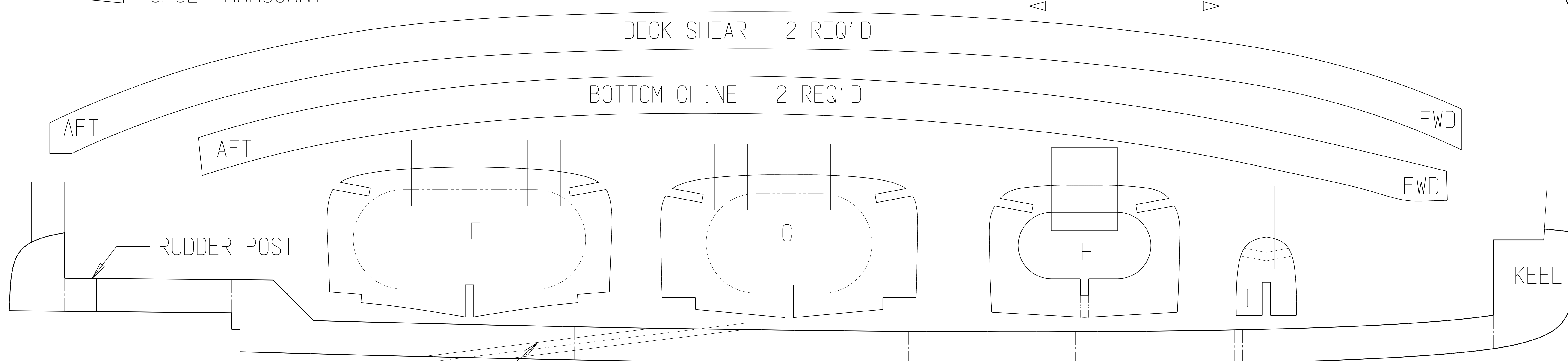
BACKREST (1)  
3/32" MAHOGANY

UNLESS OTHERWISE NOTED:  
ALL MATERIAL 3/16" Balsa  
GRAIN DIRECTION:

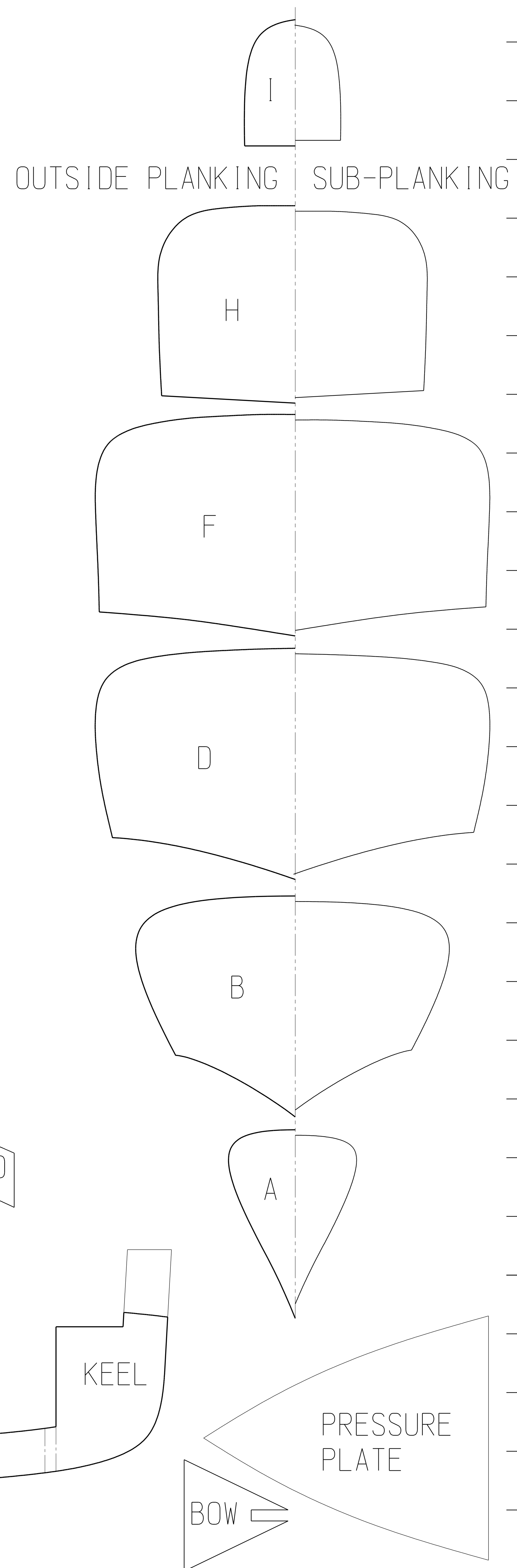


DECK SHEAR - 2 REQ'D

BOTTOM CHINE - 2 REQ'D



SANDING TEMPLATES



1/10th SEMI-SCALE  
G5 - BABY BOOTLEGGER  
1924 - 25 GOLD CUP & HARMSWORTH WINNER  
08/18/02 by: Garry Finlay SHEET 2 of 2