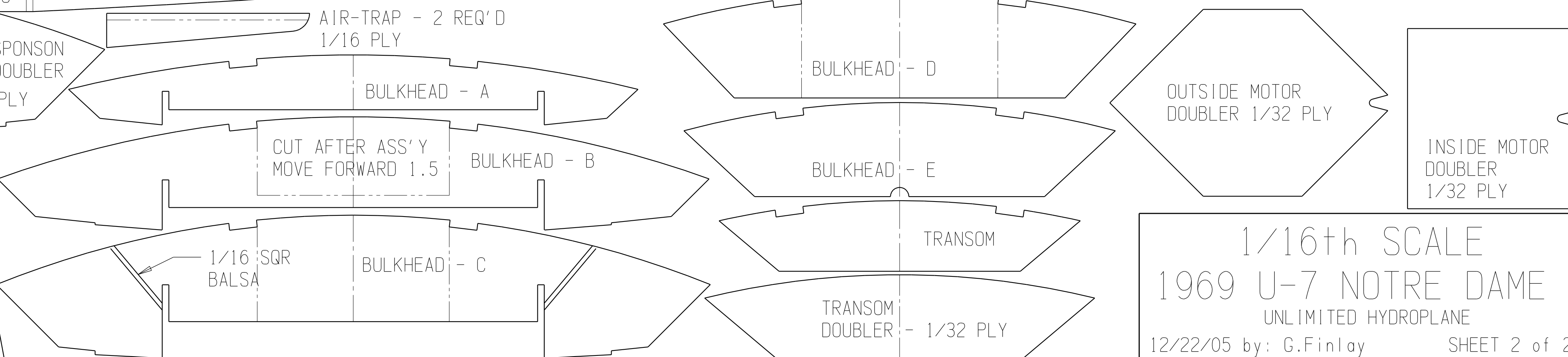
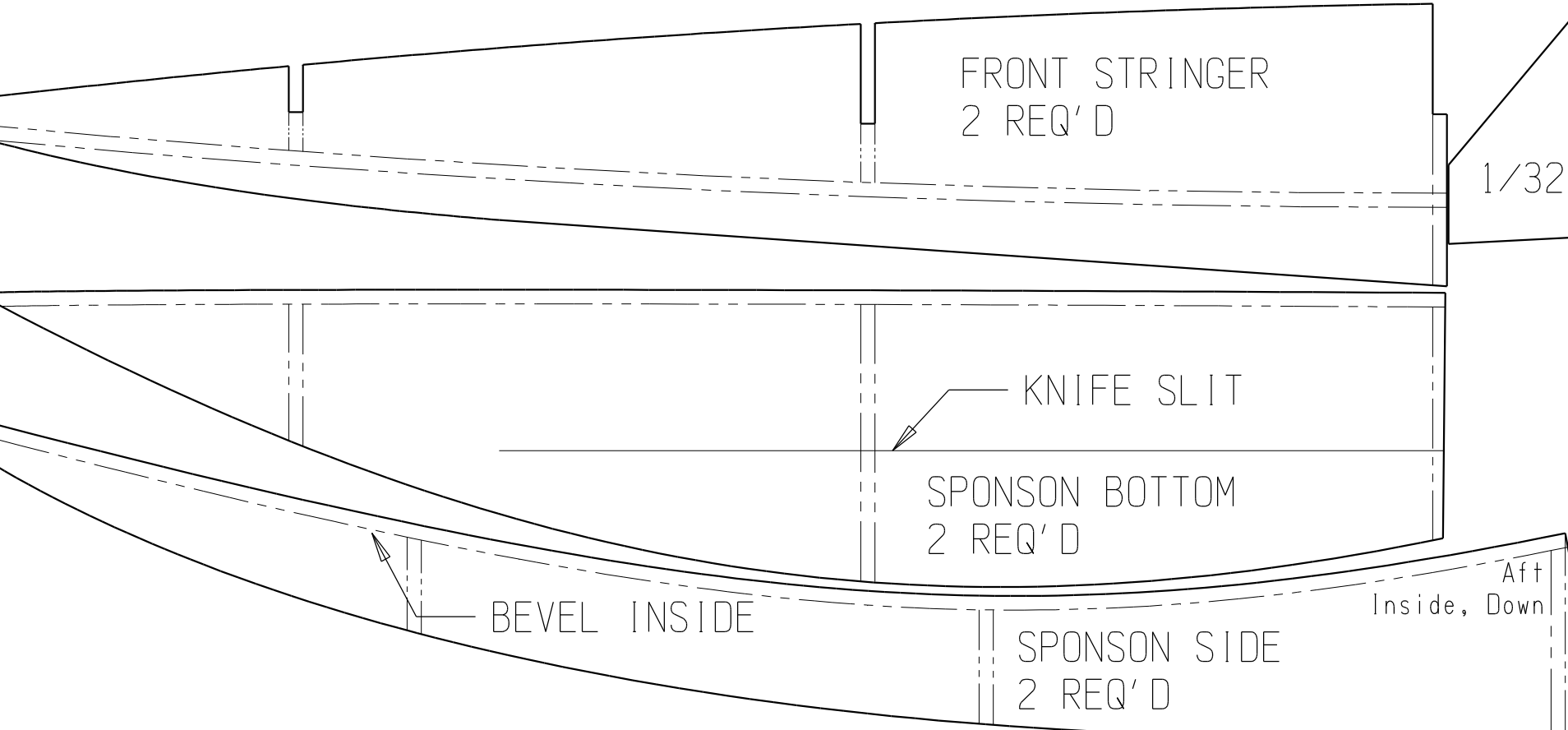
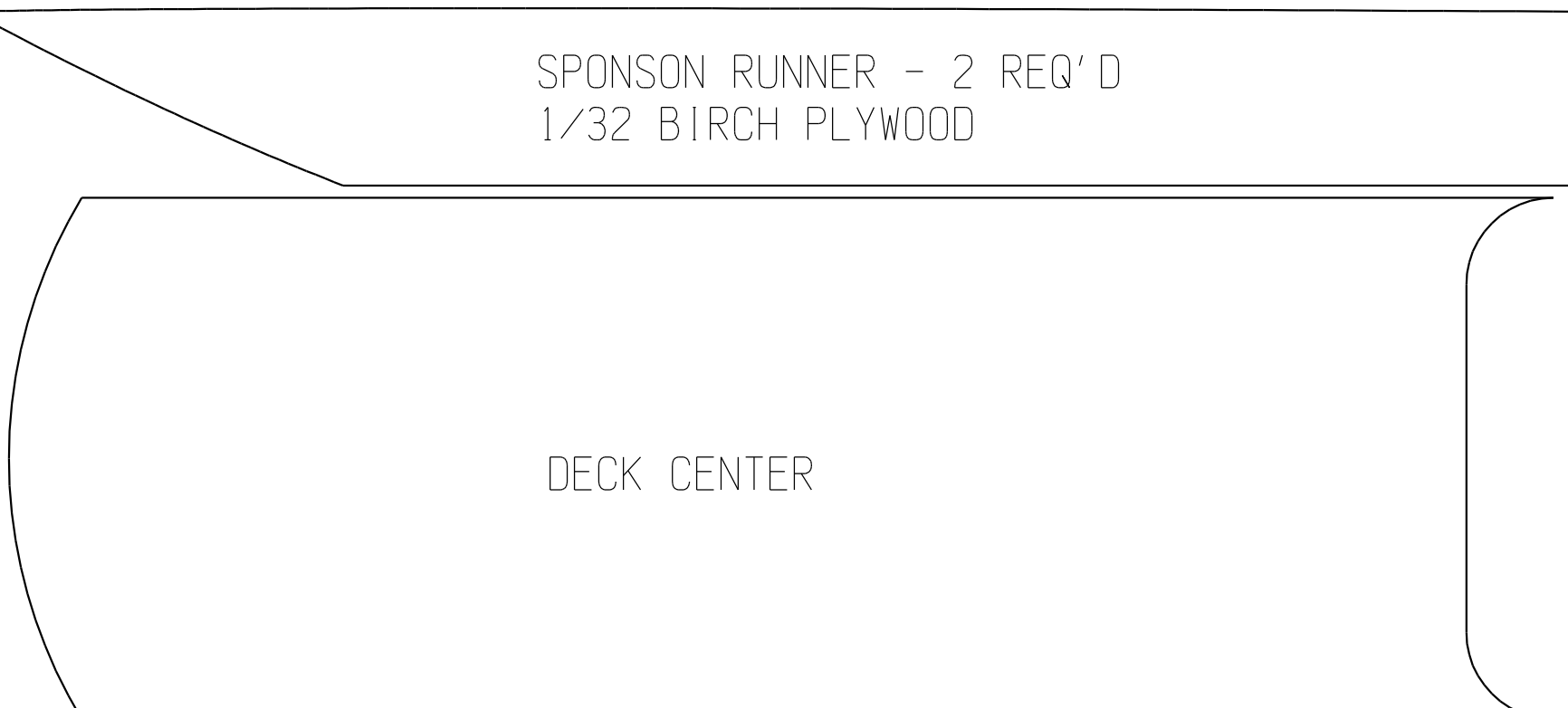
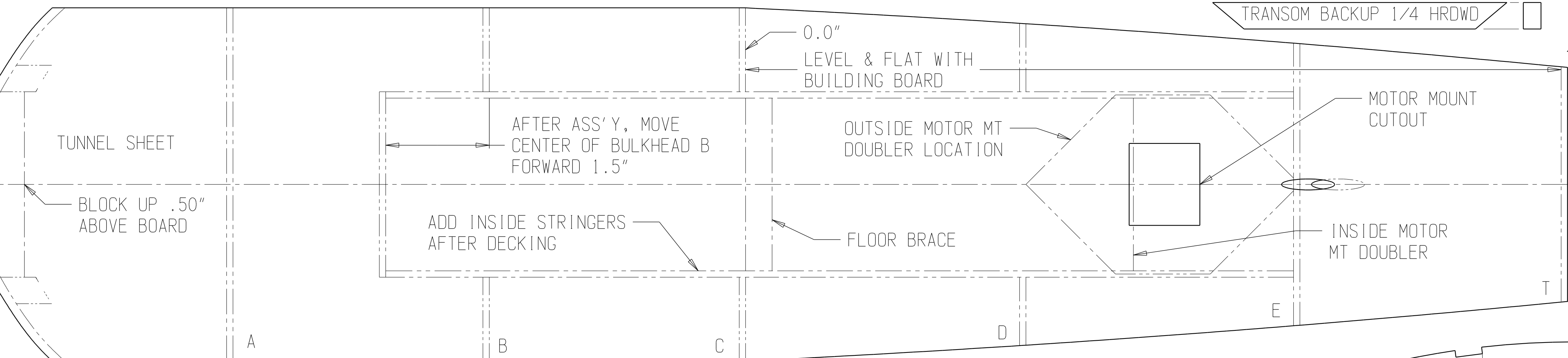
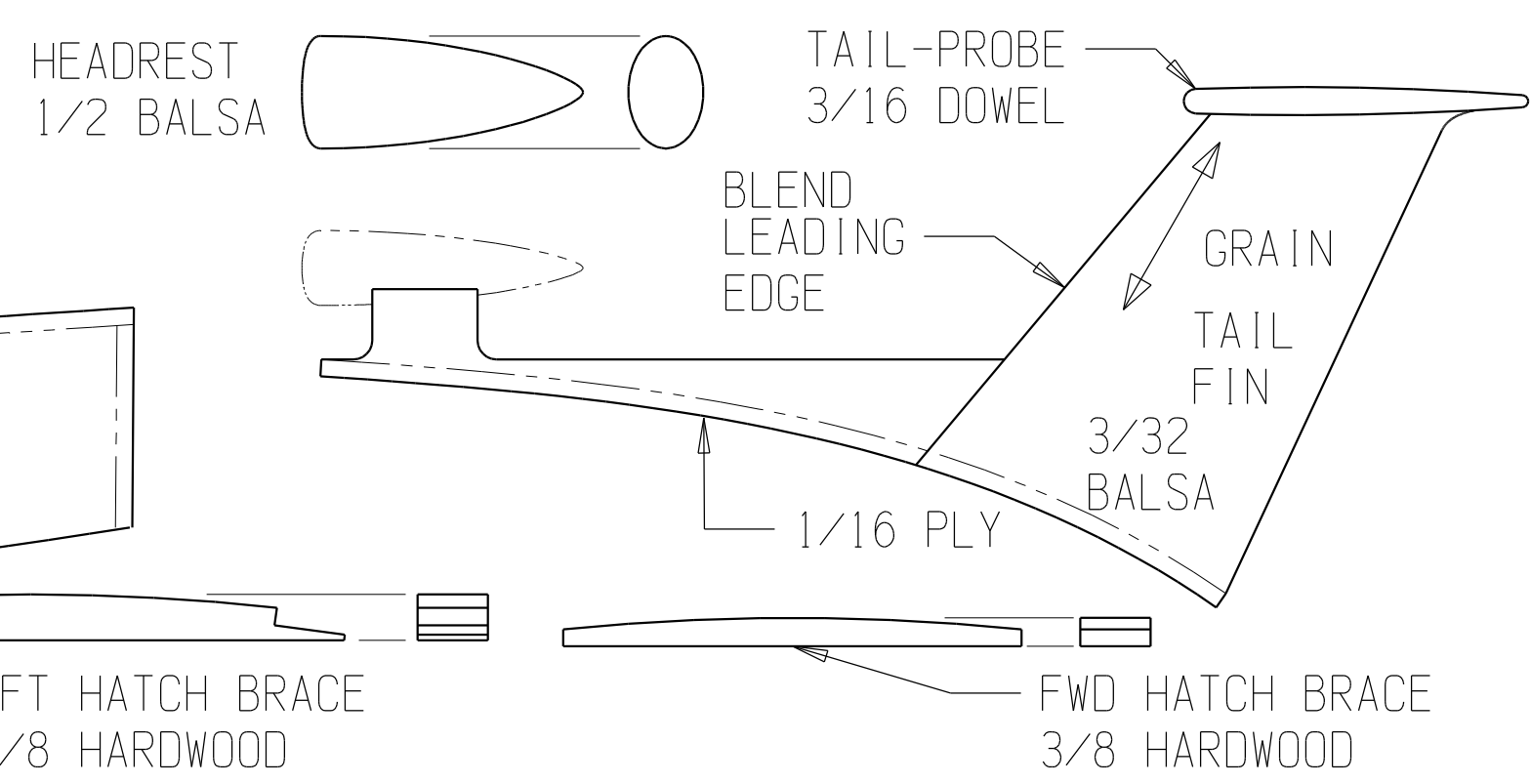
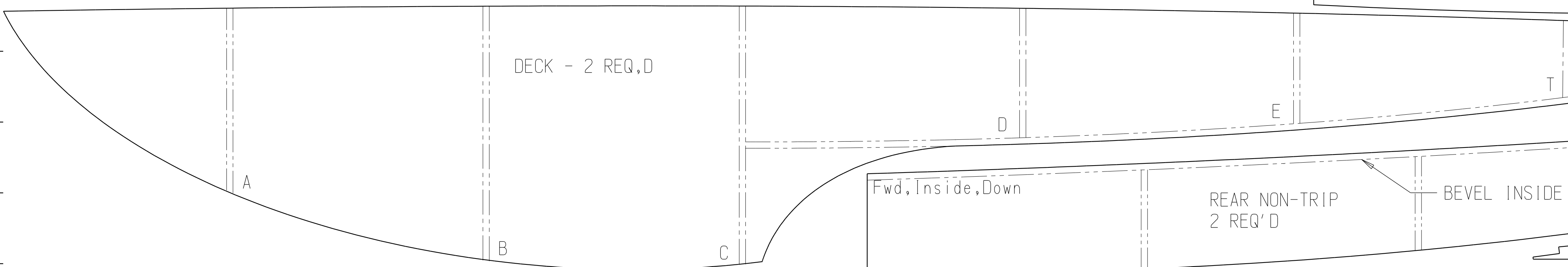
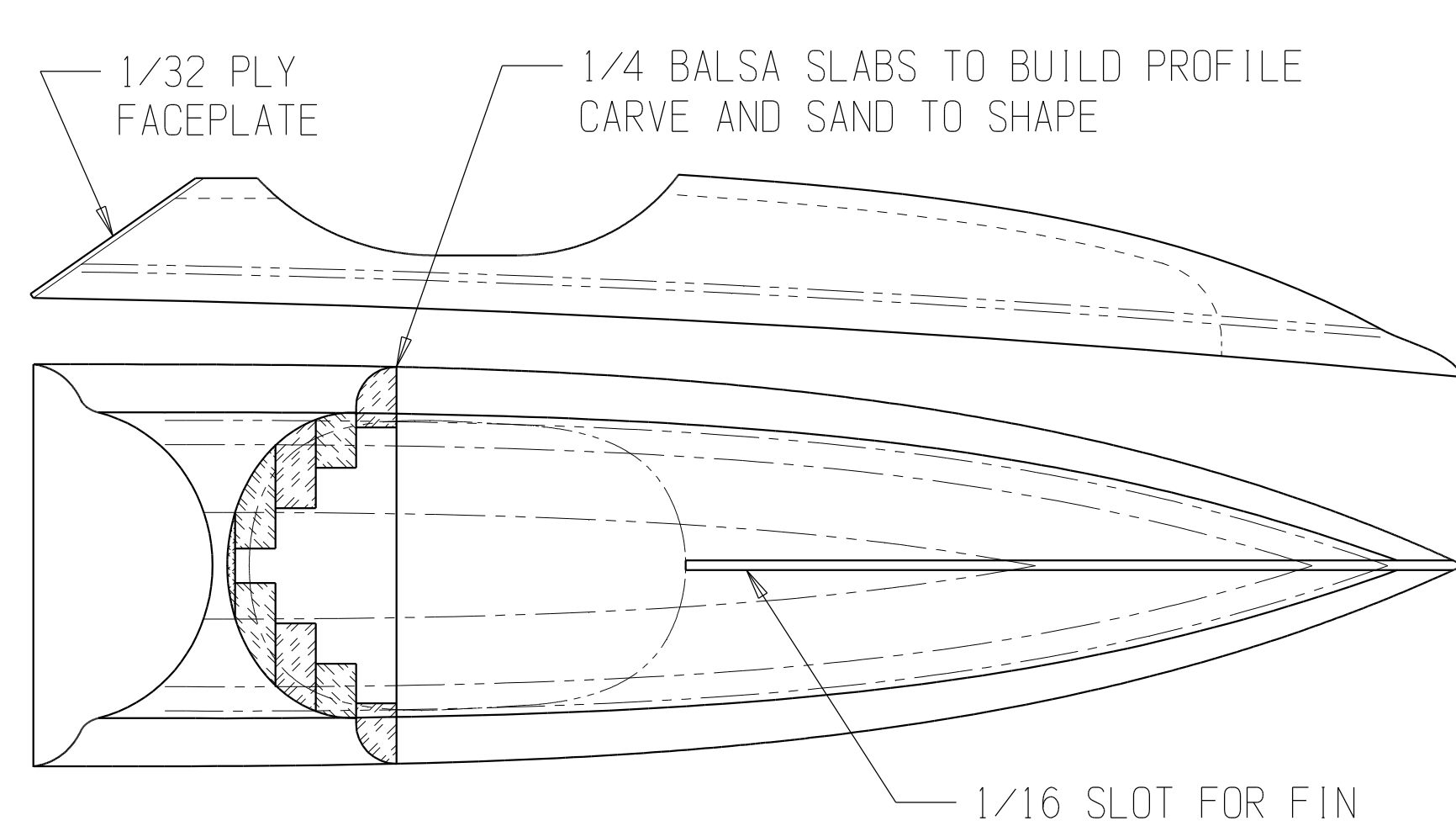
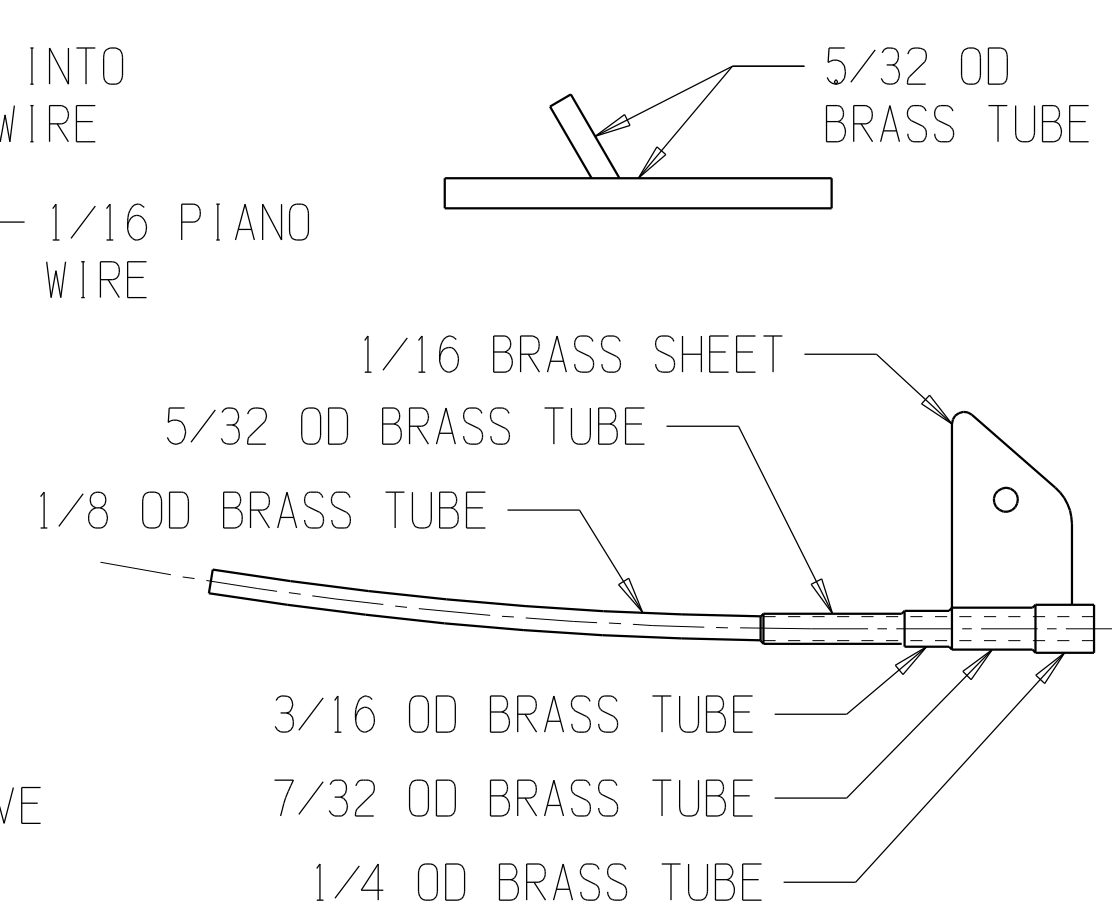
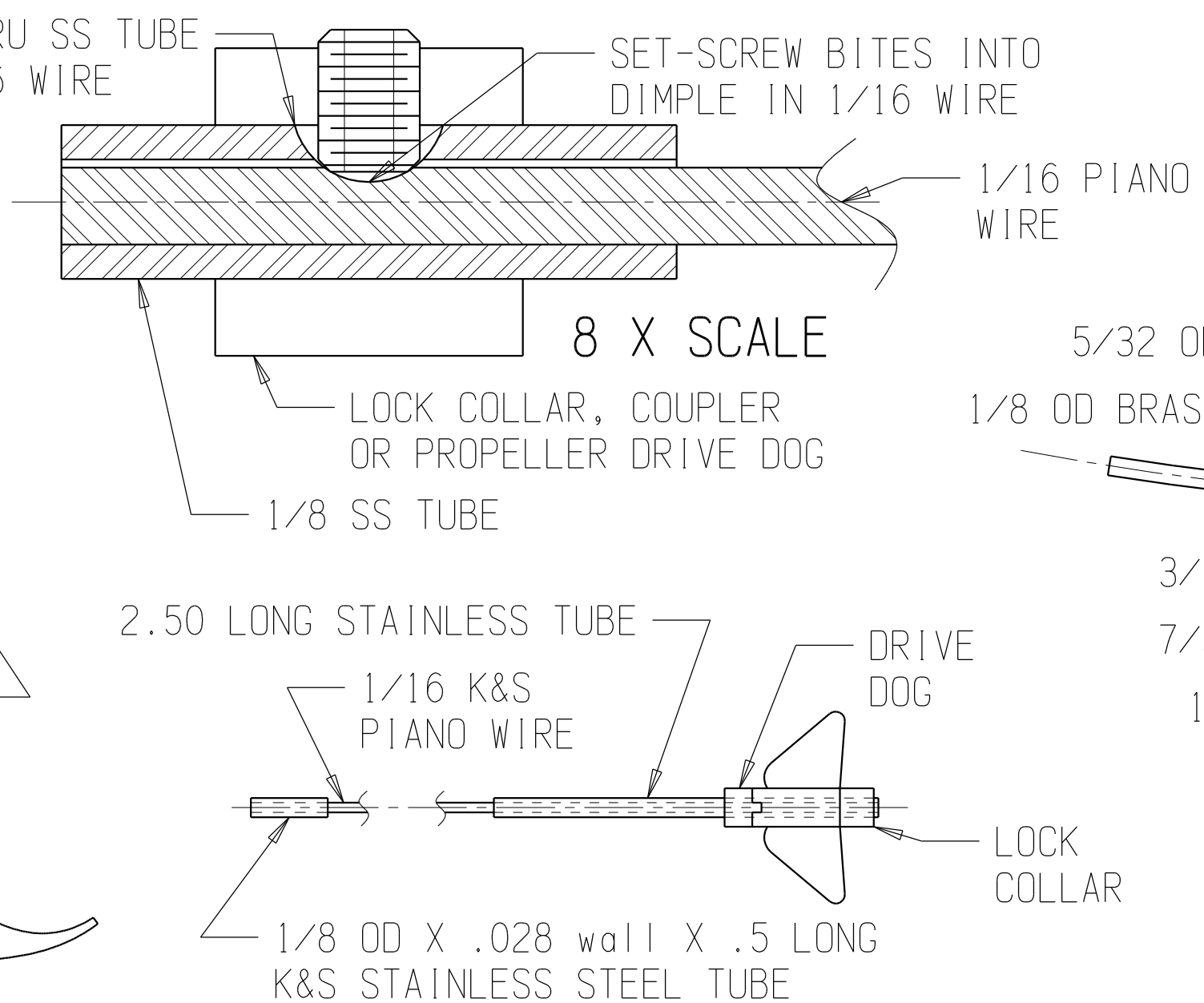
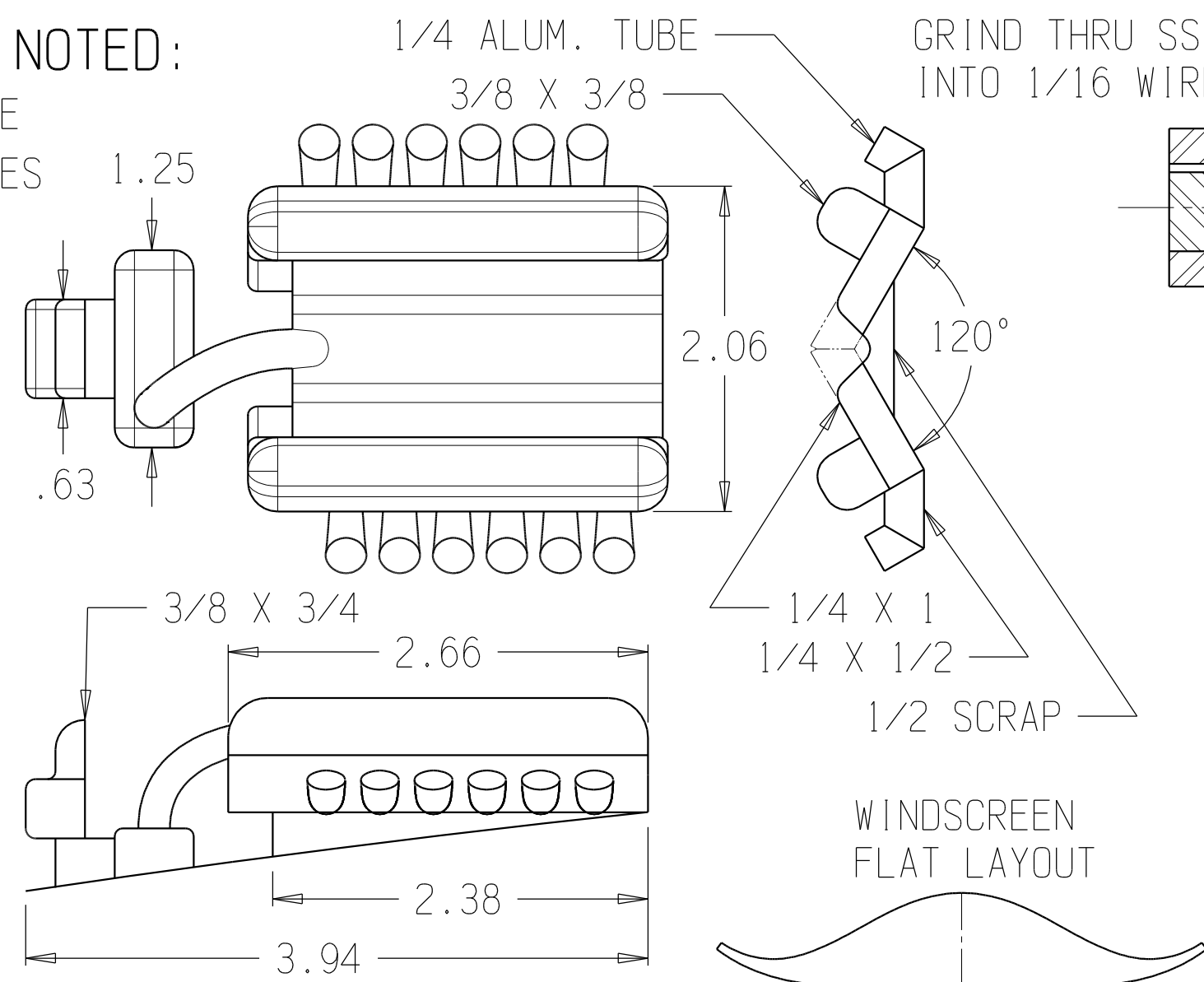


UNLESS OTHERWISE NOTED:

ALL DRAWINGS FULL SCALE
DIMENSIONS ARE IN INCHES

ALL SHEETS:
3/32 FIRM Balsa
GRAIN DIRECTION
←→



1/16th SCALE
1969 U-7 NOTRE DAME
UNLIMITED HYDROPLANE
12/22/05 by: G.Finlay SHEET 2 of 2